

## GLDD-S Door Damper

### Features

- Surface mount type
- Easy to determine installation position
- Counter plate position and pull-in force (catching force) adjustable after installation
- Unobtrusive design: damper unit is only 20mm high, easily fits most door frames
- Self & soft-close from final 15°. Door starts to close slowly from an earlier position compared with conventional products, reducing the load applied on the hinges
- Door can be opened more easily as compared with door closer
- Suitable for maximum door weight 40kg
- Self & soft-close function can be turned off when the arm is pulled in with door opened. (When the arm is pulled out, self & soft-close function can be turned on again)
- Concealed type door damper **GLDD-V** also available

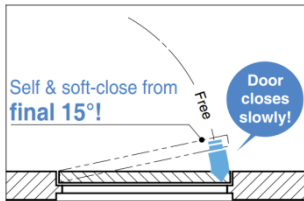
### Parts Included

- Countersunk head tapping screw 3.5×30
- Binding head tapping screw 4×16



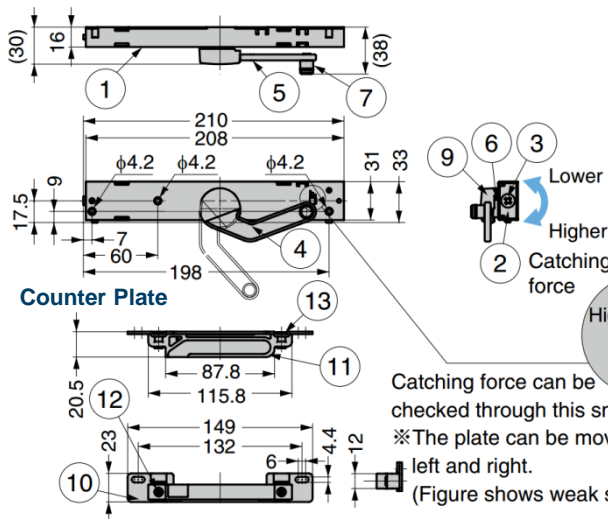
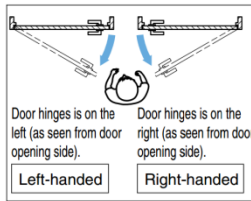
When opening, the arm comes off from the counter plate and the door can rotate freely

### Door Movement



Right-handed type shown, left-handed type is symmetrical

### Door Hinge Side

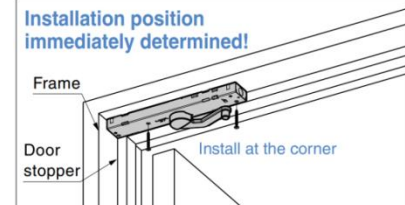


GLDD-S-R type shown

No.	Part Name	Material	Finish / Colour
①	Case	Steel (SGCC)	Chromate
②	Block	POM	Natural
③	Catching Force Adjustment Screw	Steel	Chromate
④	Arm	Stainless Steel (SUS304)	Plain
⑤	Arm Spacer	POM	See Below
⑥	Arm Axis	Zinc Alloy (ZDC)	Chromate
⑦	Roller	POM	Grey
⑧	Body Cover	ABS	See Below
⑨	Arm Cover		
⑩	Counter Plate	Steel (SPCC)	Chromate
⑪	Guide	Zinc Alloy (ZDC)	
⑫	Screw	Steel (SWCH)	Nickel
⑬	Nut	Steel (SPCC)	
⑭	Counter Plate Cover	ABS	See Below

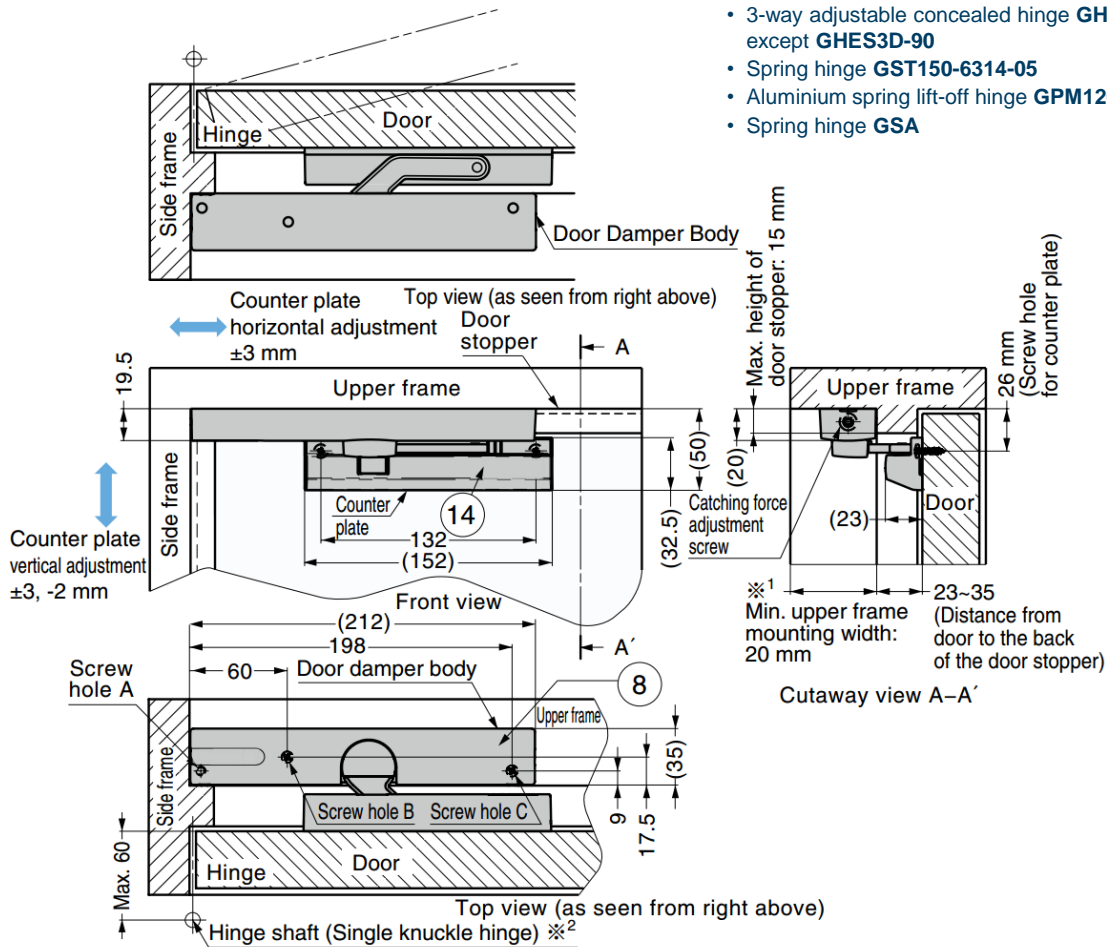


### Easy to Install and Adjust



Part No.	Colour	Type	Door Width	Door Weight
GLDD-S-RWT	White	Right-handed	Max. 900	15 ~ 40 kg
GLDD-S-LWT		Left-handed		
GLDD-S-RLGR	Light Grey	Right-handed		
GLDD-S-LLGR		Left-handed		
GLDD-S-RLBR	Light Brown	Right-handed		
GLDD-S-LLBR		Left-handed		
GLDD-S-RDBR	Dark Brown	Right-handed		
GLDD-S-LDBR		Left-handed		

## Installation



## Notes

- Can be used with the following hinges:
  - 3-way adjustable concealed hinge **GHES3D** except **GHES3D-90**
  - Spring hinge **GST150-6314-05**
  - Aluminium spring lift-off hinge **GPM120**
  - Spring hinge **GSA**

※<sup>1</sup> Top view above is for the upper frame mounting width above 25mm. When the distance from door to the back of the door stopper is 20mm~25mm, please use the screw hole A and C.

## Safety Cautions

- Do not drop or give strong impact to this product.
- This product can not resist strong wind. Do not use under strong wind, or the damper effect will decrease.
- If you close the door with excessive force, the damper effect may decrease.
- The door may not close enough depending on the case lock used.
- This product is designed for interior use. Do not use it outdoors.
- Do not use it at places subject to moisture and water.
- At the entrance of highly airtight room, the door closing speed and damper force may change, and the door may not close enough.
- Closing speed varies on environment (temperature, wind and hinges used on the door, etc.). Operating temperature: 0°C ~ 40°C.
- Do not apply a load in the vertical direction or excessive force to pull-in arm. Otherwise, it may be damaged.
- Please install and adjust this product after adjusting the door hinges.
- Please use the door hinges within the adaptive door weight range of this product.
- This product is supplied with installation instruction. Be sure to read before installation or use.
- Regularly check for looseness or dropout of screws during use.

## GLLD-S-P Spacer for GLDD-S

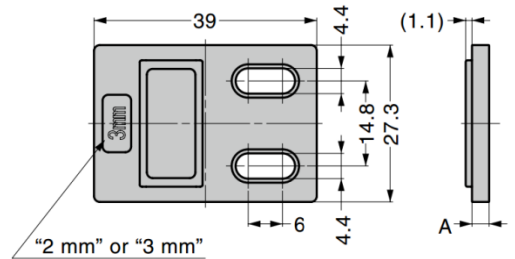
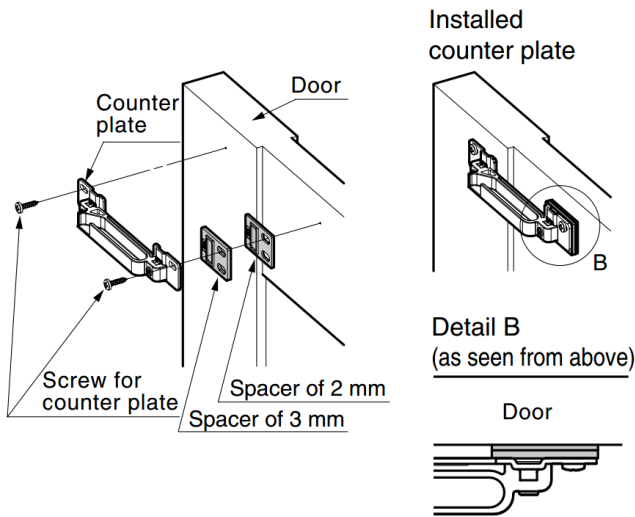
### Features

- For door damper **GLDD-S**, used when installing **GLDD-S** to a door with gap
- Two types available: 2mm thickness and 3mm thickness
- Two spacers can be used in combination for gaps of 4, 5, 6mm
- Counter plate of **GLDD-S** adjustable vertically and horizontally with the spacer installed



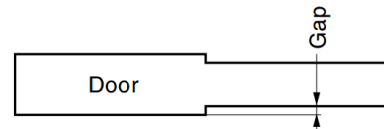
### Installation - In case of 5 mm thickness gap

- Place the counter plate spacer on the gap part of the door and pinch it with the counter plate.

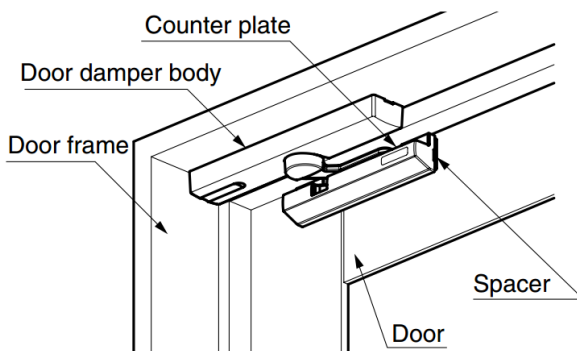


### Remarks Before Installation

- Check the gap of the door surface and choose the suitable spacer (combination of spacers).



### Installation



Part No.	Material	Colour
GLDD-S-P2BL	ABS	Black
GLDD-S-P3BL		